



COMMITMENT TO EXCELLENCE

A hand is visible in the water, making a peace sign (V-sign). The water is a vibrant blue with some white foam or bubbles around the hand. The background is a clear blue sky.

WHO WE ARE

Canopus Water Technologies Inc. is a developer and manufacturer of non-chemical water disinfection products for residential, industrial and commercial applications. The Canopus technology development team brings a unique systems approach to a market in a dire need for innovation. With a commitment to excellence, Canopus products will not compromise safety, reliability and high-performance standards.

OUR MISSION

We are committed to make technology serve people and businesses by safely and non-chemically disinfecting water to the highest quality standards as listed by the EPA, NSF, and WQA.

OUR EXPERTISE

We offer a broad range of services at any stage of the product development process. We develop concepts, provide detailed design services, manage projects and release prototypes. The Canopus team was involved in the development of hundreds of successful commercial products for various industries including; semiconductor, specialty materials, power and energy, medical, and industrial.

C-UV100

THE WORLD'S BEST UV DISINFECTION PRODUCT

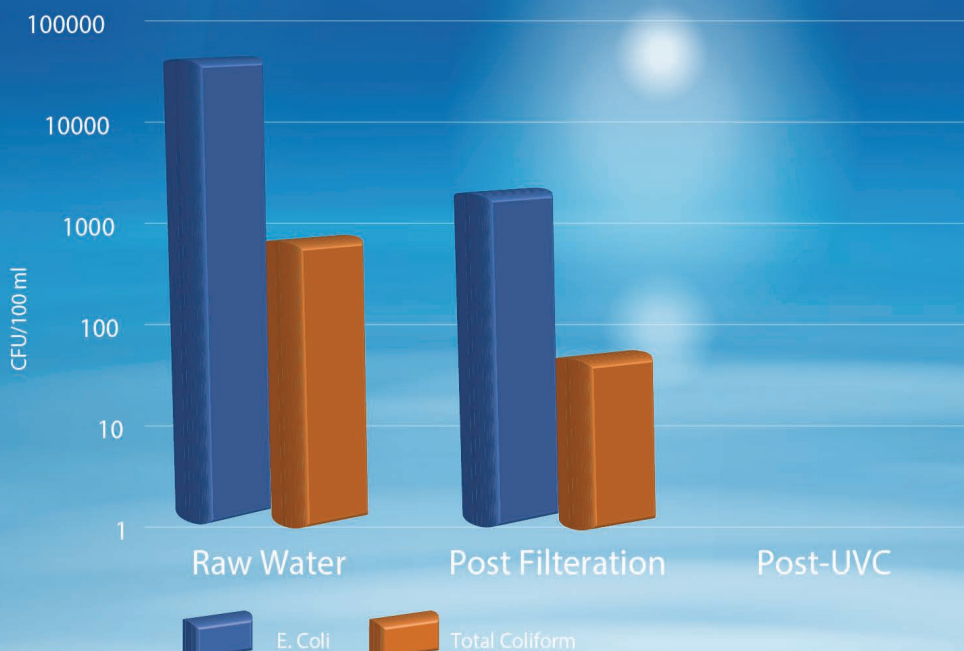


	Standard UV Lamp	C-UV100
RoHS	X	✓
Instant ON/OFF	X	✓
Compact	X	✓
Rugged	X	✓
NO Mercury	X	✓
NO biofouling	X	✓
NO high voltage Ballast	X	✓
NO Temperature Dependency	X	✓



It combines the safety, reliability, and long life of an LED with a reactor design that allows for the highest disinfection performance at water flow rates never reached with an LED device before.

Removal of Total Coliform and E. coli





C-UV100p



C-UV100p-Dual



C-UV100n



C-UV100

Water is the most valuable commodity for human existence. With limited resources, an aging infrastructure, and a new-found awareness of the potential harmful effects of long term exposure to chlorine, chemical free water disinfection is becoming the most important step in the water treatment process.

The C-UV100 is the world's best UV disinfection product. It combines the safety, reliability, and long life of an LED with a reactor design that allows for the highest disinfection performance at water flow rates never reached with an LED device before. With flow rates up to 20 GPM, our line of products covers a wide range of points of use applications.

Product Features & Benefits

- Safe and reliable high intensity UV-C LED to inactivate most harmful bacteria, viruses and parasites including: Cryptosporidium, Giardia, and E.Coli with no compromise.
- NO chemicals, NO mercury, NO high voltage, and all materials are RoHS compliant
- Innovative reaction chamber to provide the highest possible disinfection validated by an independent and industry recognized laboratory.
- Long life with low cost of ownership: NO yearly lamp replacement and NO fans.
- Compact design for installation in tight spaces.
- Instant ON/OFF capability.
- Bluetooth enabled for ease of use and monitoring.
- Stable operation and independent temperature profile.

Applications

- Point of entry (POE) and point of use (POU) residential: drinking, pools, and irrigation
- Commercial such as restaurants, health centers, pools and spas
- Medical, pharmaceutical, and Biotechnology
- Semiconductor
- Ballast water
- Wastewater

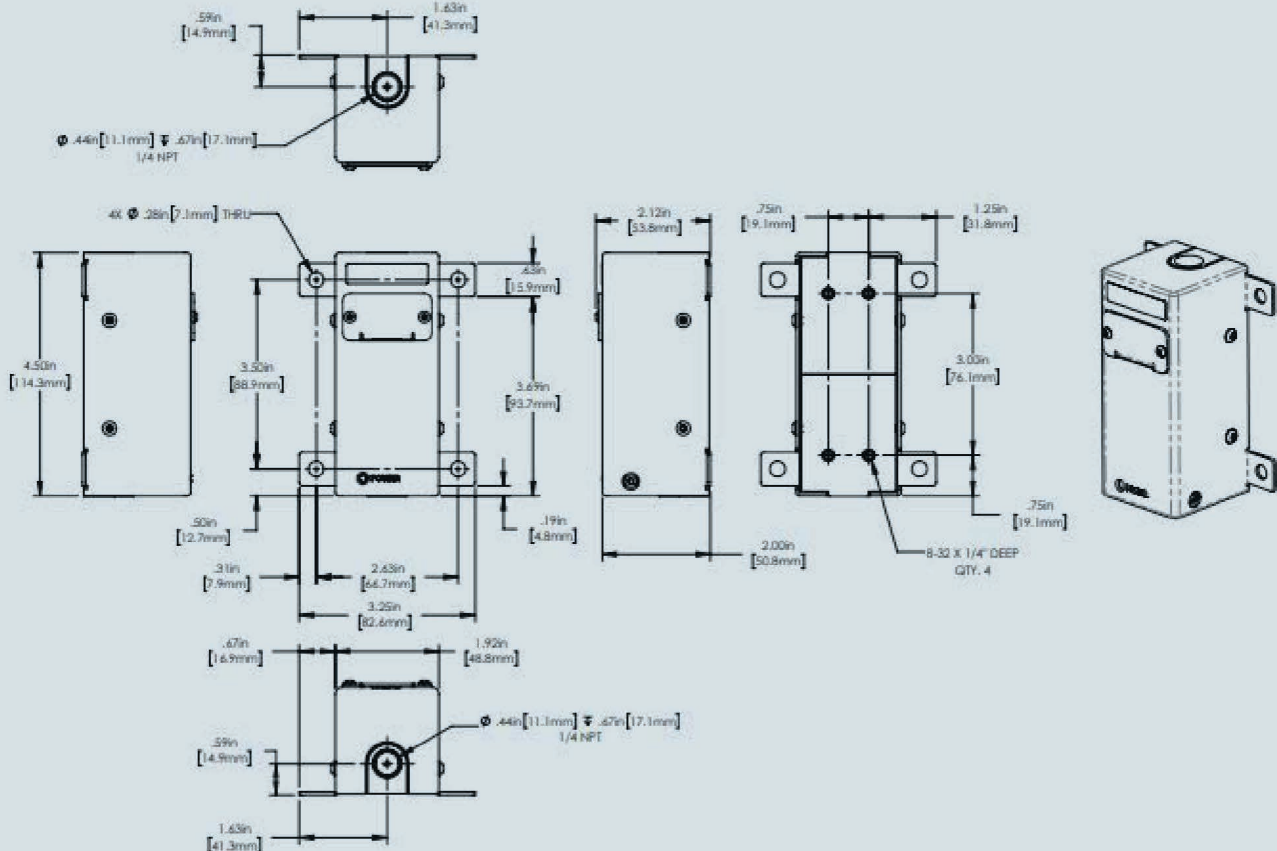
C-UV100p ULTRAVIOLET LED WATER DISINFECTION SYSTEM

Specifications

Maximum Flow Rate	1 GPM
UV Dose	Greater than 10 mJ/cm ²
Operating Pressure	10PSI - 100PSI
ELECTRICAL	Voltage: 85 – 240 VAC/ 50-60Hz Power: 3W
MECHANICAL	Dimensions: 4.5" (H) X 2" (W) X 2" (D) Inlet/Outlet Ports: 1/4" NPT Shipping Weight: 2 lbs
ENVIRONMENTAL	Maximum Water Temperature: 40°C Cooling: Natural convection, no fans or auxiliary cooling required
OPTIONS	UV Detector with alarms when UV drops below the preset threshold WIFI Connectivity with UV detector readouts Battery back-up



Mechanical Details

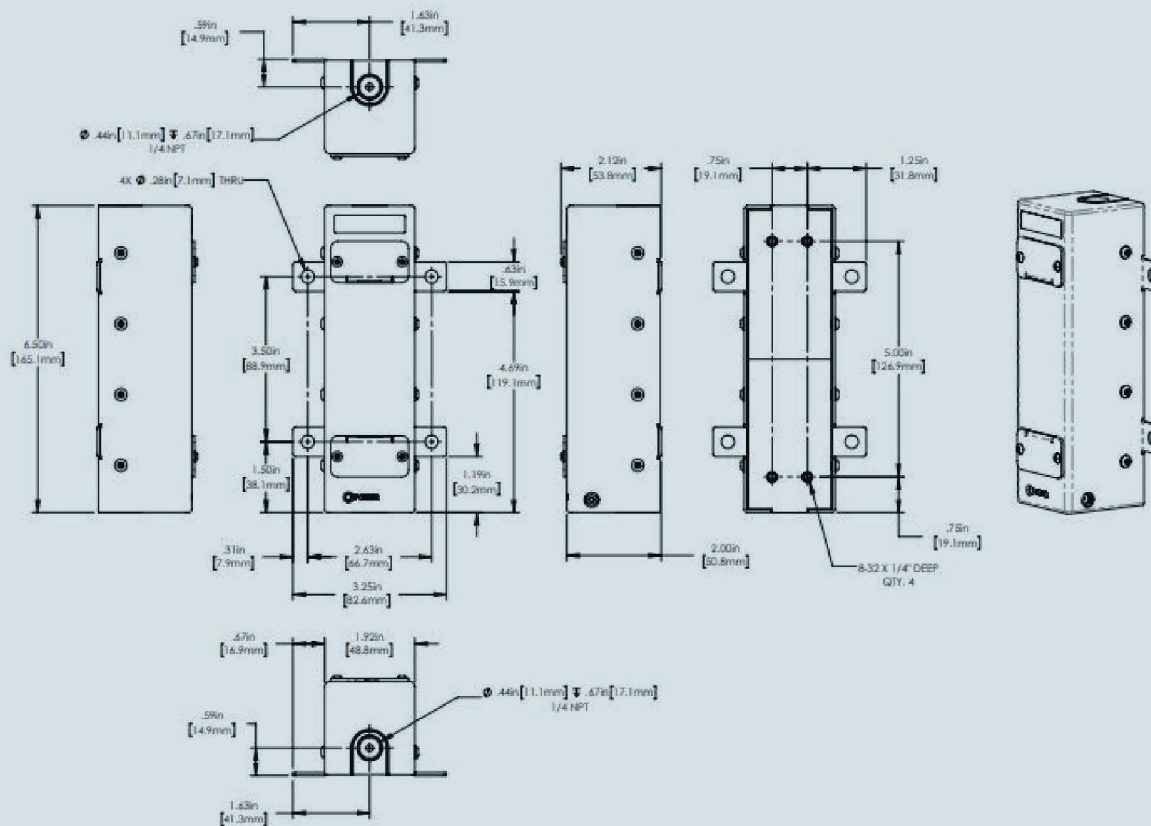


C-UV100p2 Ultraviolet LED Water Disinfection System Specifications

Maximum Flow Rate:	2GPM
UV Dose	Greater than 10 mJ at 1.5GPM (6 LPM)
Operating Pressure	10PSI - 100PSI
ELECTRICAL	Voltage: 85 – 240 VAC/ 50-60Hz Power 3W
MECHANICAL	Dimensions: 6.5"(H)X 2"(W) X 2"(D) Inlet/Outlet Ports: 1/4" FNPT Shipping Weight 2.5lbs
ENVIRONMENTAL	Maximum Water Temperature: 40°C Cooling: Natural convection, no fans or auxiliary cooling required
OPTIONS	UV Detector with alarms when UV drops below the preset threshold WIFI Connectivity with UV detector readouts Battery back-up



Mechanical Details



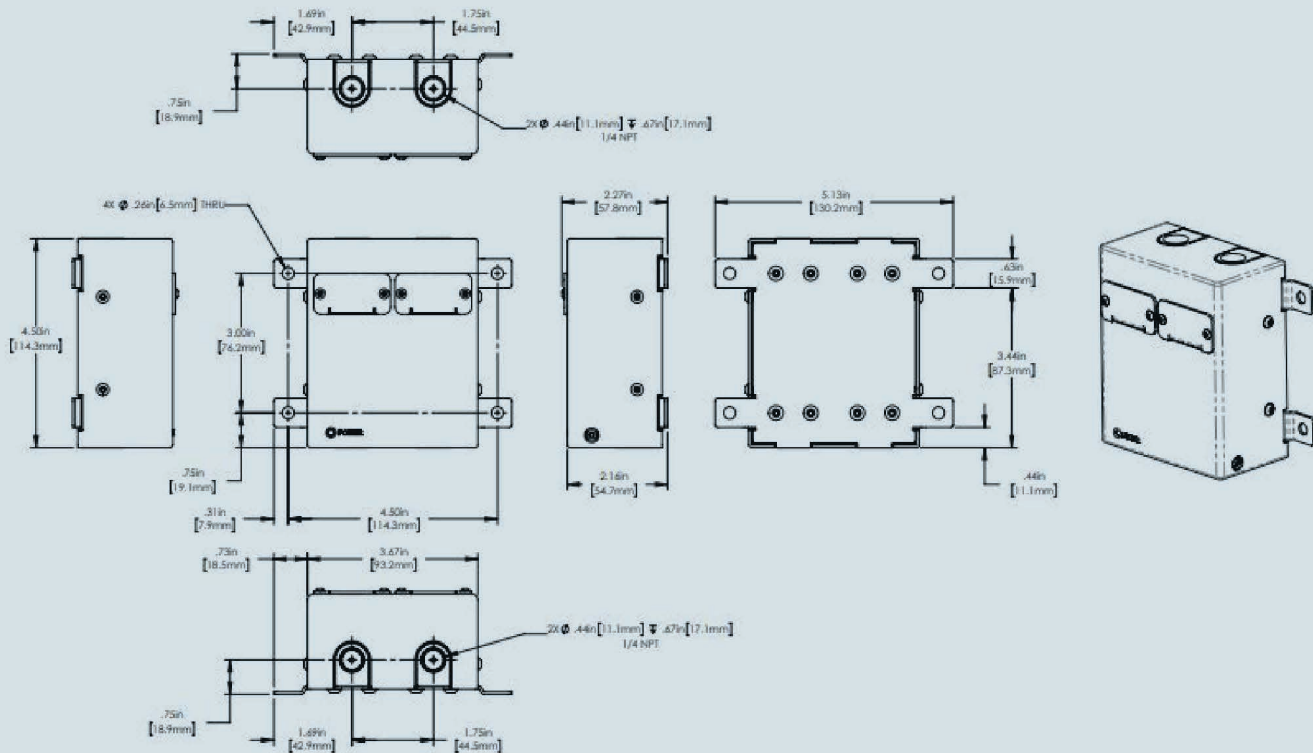
C-UV100p Dual Ultraviolet LED Water Disinfection System

Specifications

Maximum Flow Rate	1 GPM Per Channel
UV Dose	Greater than 10 mJ/cm ²
Operating Pressure	10PSI - 100PSI
ELECTRICAL	Voltage: 85 – 240 VAC/ 50-60Hz Power: 6 W
MECHANICAL	Dimensions: 4.5"(H)X 4"(W) X 2"(D) Inlet/Outlet Ports: 1/4" FNPT Shipping Weight 4lbs
ENVIRONMENTAL	Maximum Water Temperature: 40°C Cooling: Natural convection, no fans or auxiliary cooling required
OPTIONS	UV Detector with alarms when UV drops below the preset threshold WIFI Connectivity with UV detector readouts Battery back-up



Mechanical Details

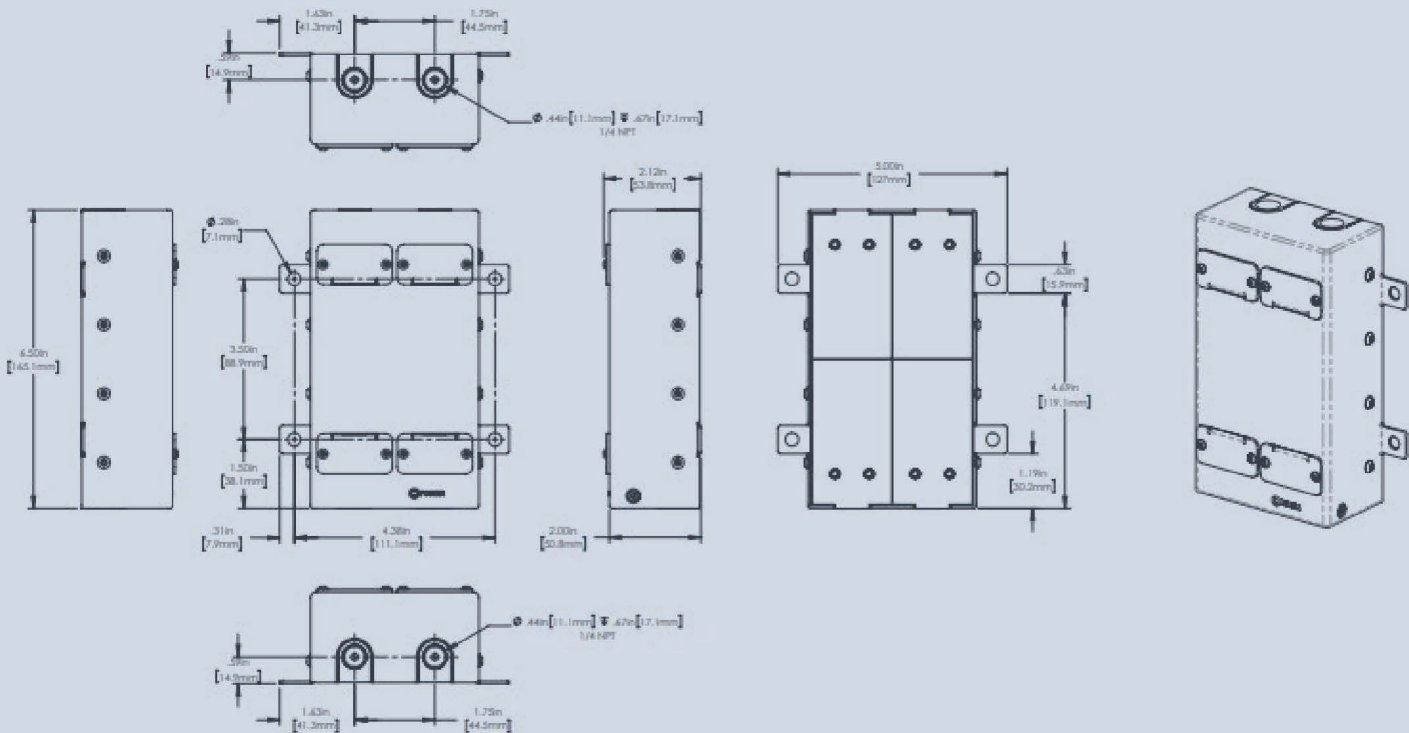


C-UV100p2 Dual Ultraviolet LED Water Disinfection System Specifications

Maximum Flow Rate:	2 GPM Per Channel
UV Dose	Greater than 10 mJ at 1 GPM
Operating Pressure	10PSI - 100PSI
ELECTRICAL	Voltage: 85 – 240 VAC/ 50-60Hz Power 6W
MECHANICAL	Dimensions: 6.5"(H)X 4"(W) X 2"(D) Inlet/Outlet Ports: 1/4" FNPT Shipping Weight 5lbs
ENVIRONMENTAL	Maximum Water Temperature: 40°C Cooling: Natural convection, no fans or auxiliary cooling required
OPTIONS	UV Detector with alarms when UV drops below the preset threshold WIFI Connectivity with UV detector readouts Battery back-up



Mechanical Details

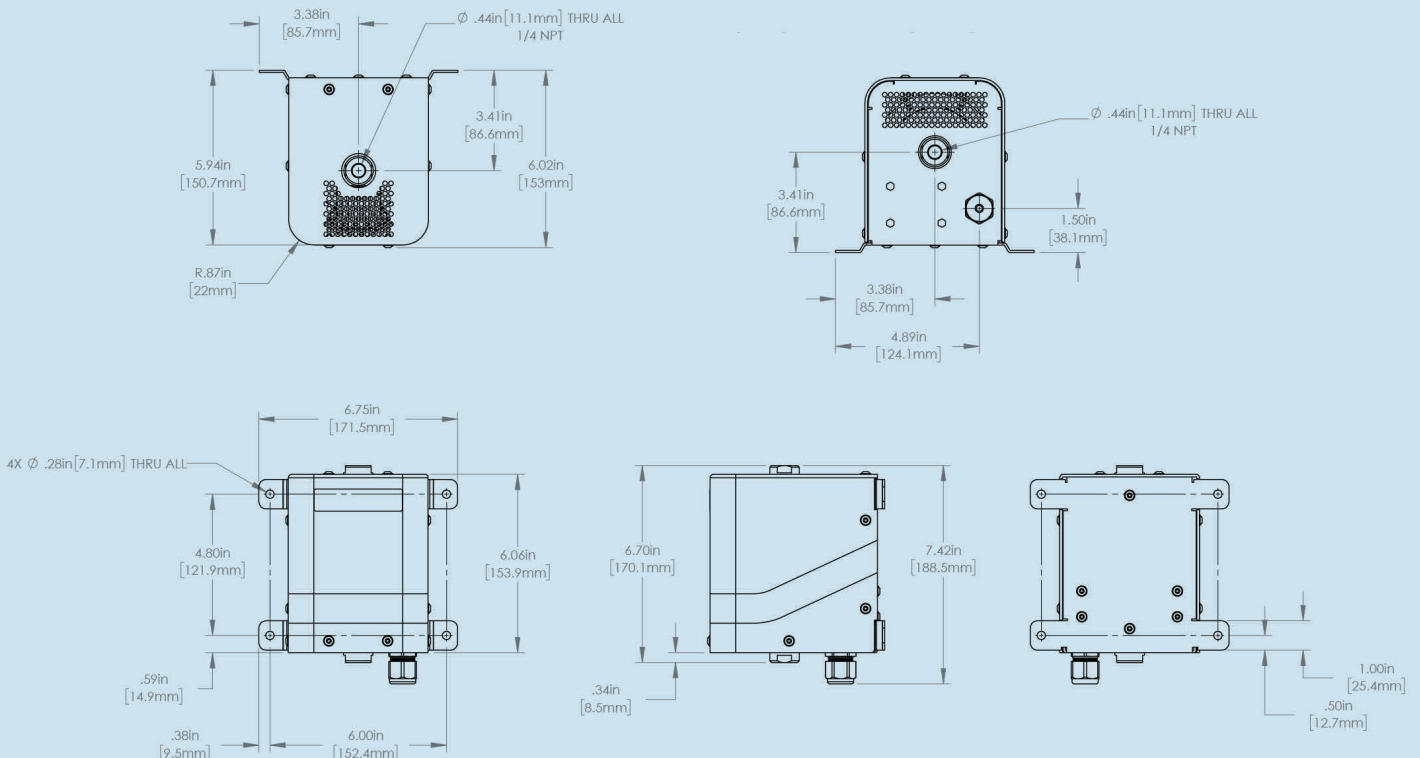


C-UV100n Ultraviolet LED Water Disinfection System Specifications



Maximum Flow Rate	5GPM
UV Dose	Greater than 30mJ/cm
Operating Pressure	10PSI - 100PSI
ELECTRICAL	Voltage: 85 – 240 VAC/ 50-60Hz Power: 6W
MECHANICAL	Dimensions: 6.7" (H) X 6" (W) X 6" (D) Inlet/Outlet Ports: 3/4" FNPT Shipping Weight: 6 lbs
ENVIRONMENTAL	Maximum Water Temperature: 40°C Cooling: Natural convection, no fans or auxiliary cooling required
OPTIONS	UV Detector with alarms when UV drops below the preset threshold WIFI Connectivity with UV detector readouts Battery back-up

Mechanical Details

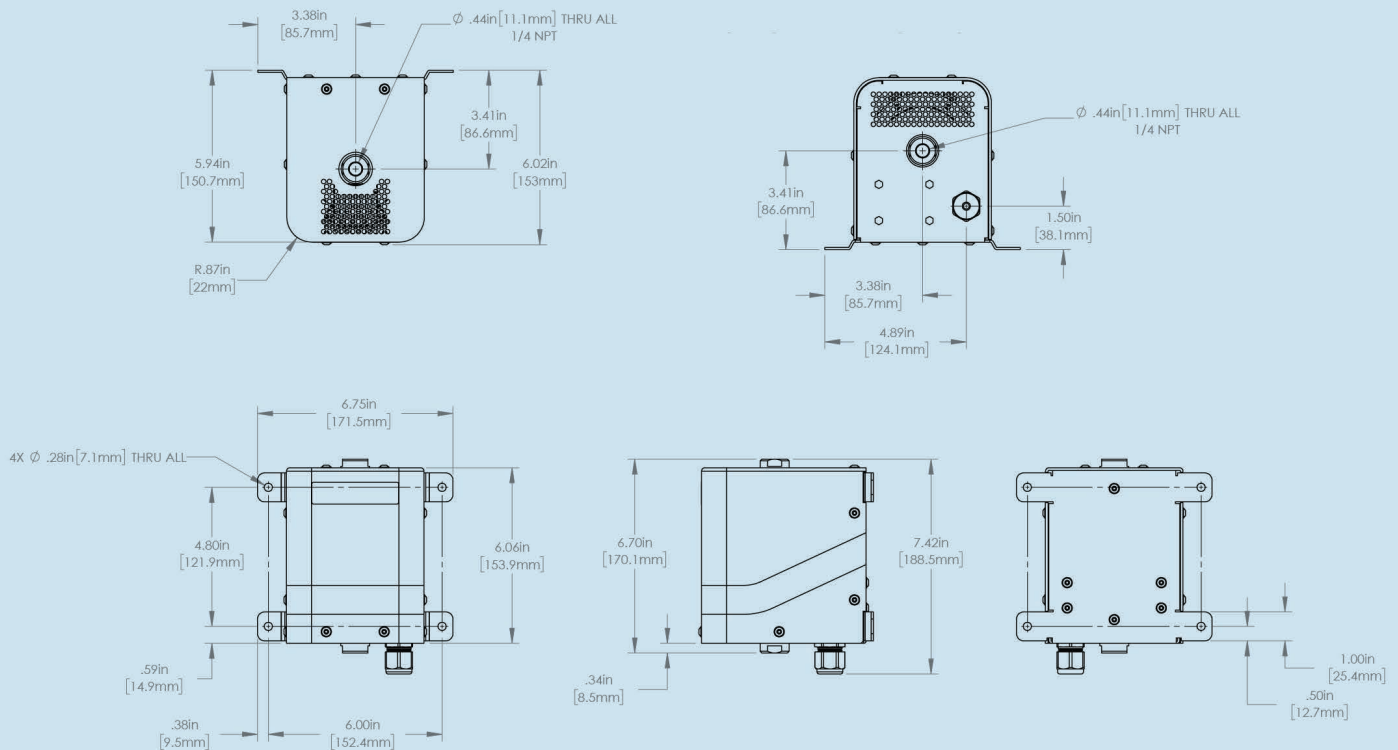


C-UV100u Ultraviolet LED Water Disinfection System Specifications

Maximum Flow Rate	10GPM
UV Dose	Greater than 30mJ/cm
Operating Pressure	10PSI - 100PSI
ELECTRICAL	Voltage: 85 – 240 VAC/ 50-60Hz Power: 12W
MECHANICAL	Dimensions: 6.7" (H) X 6" (W) X 6" (D) Inlet/Outlet Ports: 3/4" FNPT Shipping Weight: 6 lbs
ENVIRONMENTAL	Maximum Water Temperature: 40°C Cooling: Natural convection, no fans or auxiliary cooling required
OPTIONS	UV Detector with alarms when UV drops below the preset threshold WIFI Connectivity with UV detector readouts Battery back-up



Mechanical Details



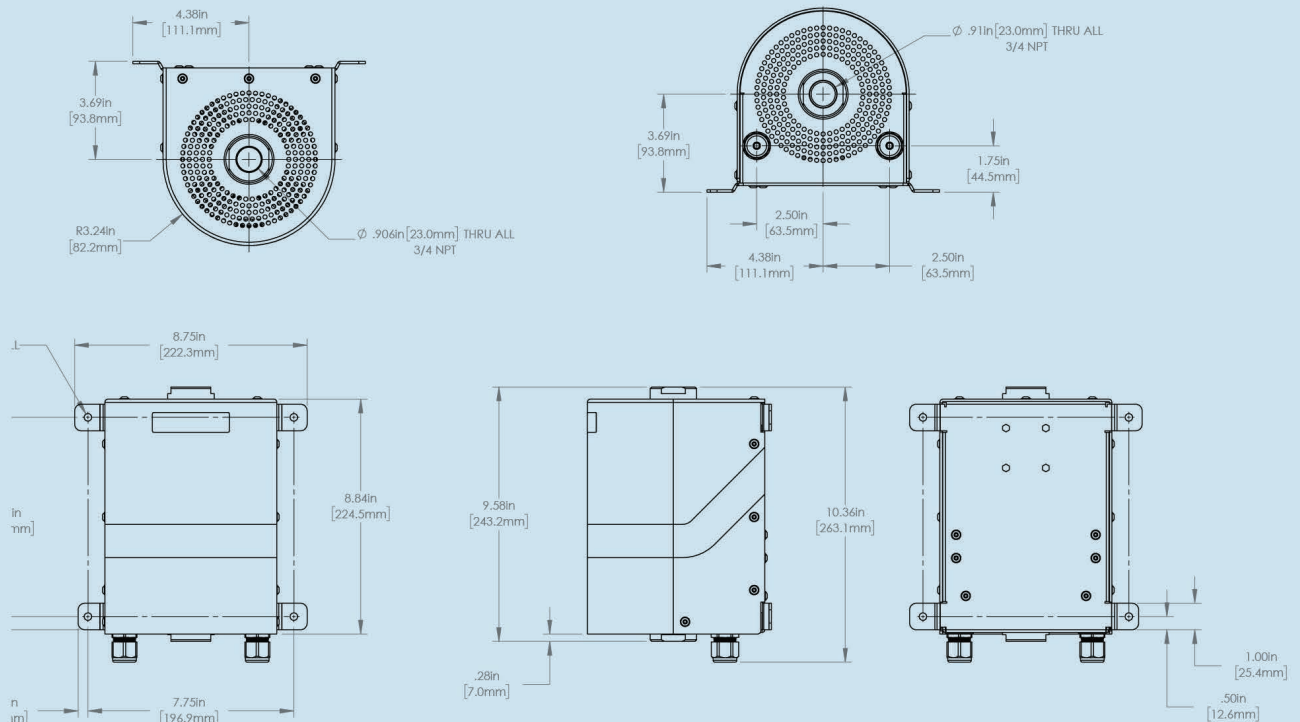
C-UV100 Ultraviolet LED Water Disinfection System

Specifications



Maximum Flow Rate	25 GPM
UV Dose	Greater than 30mJ/cm ²
Operating Pressure	10PSI - 100PSI
ELECTRICAL	Voltage: 85 – 240 VAC/ 50-60Hz Power: 22W
MECHANICAL	Dimensions: 9.5" (H) X 7.5" (W) X 7" (D) Inlet/Outlet Ports: 3/4" FNPT Shipping Weight: 12 lbs
ENVIRONMENTAL	Maximum Water Temperature: 40°C Cooling: Natural convection, no fans or auxiliary cooling required
OPTIONS	UV Detector with alarms when UV drops below the preset threshold WIFI Connectivity with UV detector readouts Battery back-up

Mechanical Details



OUR MARKETS

Our scalable products address a broad range of markets



INDUSTRIAL



POOL AND SPA



WASTEWATER



BALLAST WATER



AGRICULTURAL
& FARMING



MUNICIPAL

