



[WWW.CANOPUSWATERTECHNOLOGIES.COM](http://WWW.CANOPUSWATERTECHNOLOGIES.COM)

# TABLE OF CONTENTS

03

## COMMITMENT TO EXCELLENCE

Who We Are  
Our Mission  
Our Expertise

04

## THE WORLD'S BEST UV DISINFECTION PRODUCT

Removal of Total Coliform and E. coli  
Product Features & Benefits  
Applications

06

## CANOPUS CONNECT

07

## C-UV100p

Ultraviolet Led Water Disinfection System

08

## C-UV100p2

Ultraviolet Led Water Disinfection System

09

## C-UV100p

Dual Ultraviolet Led Water Disinfection System

10

## C-UV100p2

Dual Ultraviolet Led Water Disinfection System

11

## C-UV100

Ultraviolet Led Water Disinfection System

12

## OUR MARKETS

Our Scalable Products Address A Broad Range Of Markets

# COMMITMENT TO EXCELLENCE

## WHO WE ARE

Canopus Water Technologies Inc. is a developer and manufacturer of non-chemical water disinfection products for residential, industrial and commercial applications. The Canopus technology development team brings a unique systems approach to a market in a dire need for innovation. With a commitment to excellence, Canopus products will not compromise safety, reliability and high-performance standards.

## OUR MISSION

We are committed to make technology serve people and businesses by safely and non-chemically disinfecting water to the highest quality standards as listed by the EPA, NSF, and WQA.

## OUR EXPERTISE

We offer a broad range of services at any stage of the product development process. We develop concepts, provide detailed design services, manage projects and release prototypes. The Canopus team was involved in the development of hundreds of successful commercial products for various industries including; semiconductor, specialty materials, power and energy, medical, and industrial.

# C-UV100

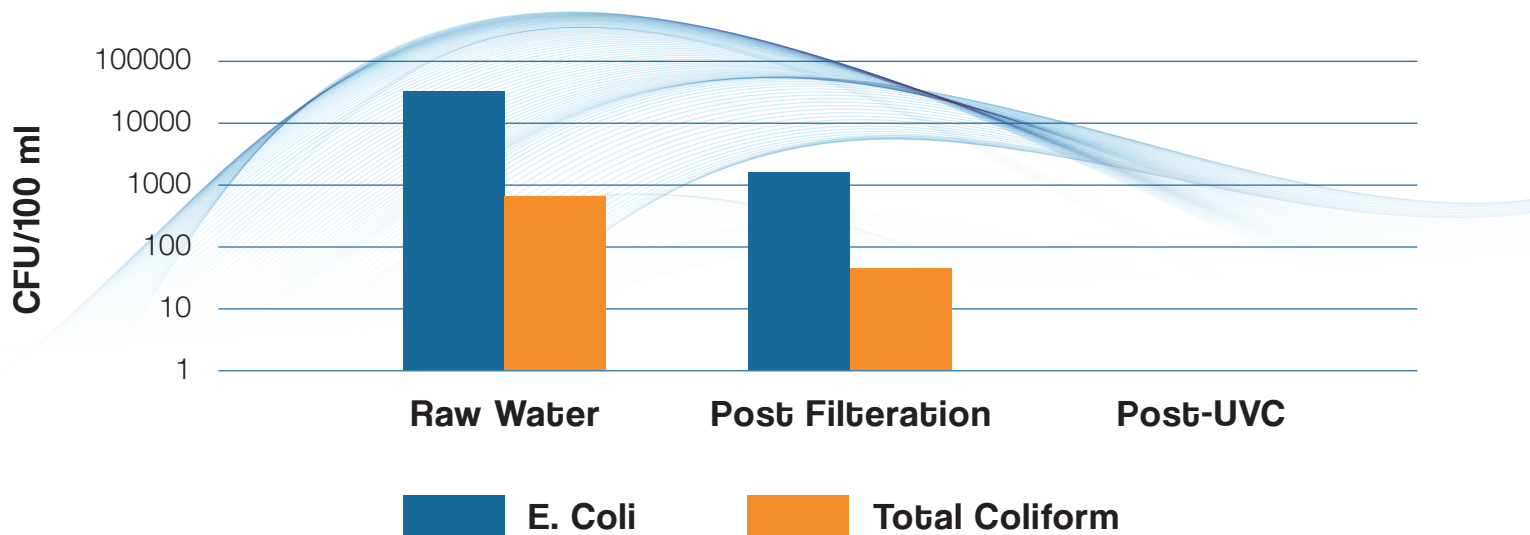
## THE WORLD'S BEST UV DISINFECTION PRODUCT

	Standard UV Lamp	C-UV100
RoHS	✗	✓
Instant ON/OFF	✗	✓
Compact	✗	✓
Rugged	✗	✓
NO Mercury	✗	✓
NO biofouling	✗	✓
NO high voltage Ballast	✗	✓
NO Temperature Dependency	✗	✓



It combines the safety, reliability, and long life of an LED with a reactor design that allows for the highest disinfection performance at water flow rates never reached with an LED device before.

### Removal of Total Coliform and E. coli





Water is the most valuable commodity for Product Features & Benefits human existence. With limited resources, an aging infrastructure, and a new-found awareness of the potential harmful effects of long term exposure to chlorine, chemical free water disinfection is becoming the most important step in the water treatment process.

The C-UV100 is the world's best UV disinfection product. It combines the safety, reliability, and long life of an LED with a reactor design that allows for the highest disinfection performance at water flow rates never reached with an LED device before. With flow rates up to 20 GPM, our line of products covers a wide range of points of use applications.

## APPLICATIONS

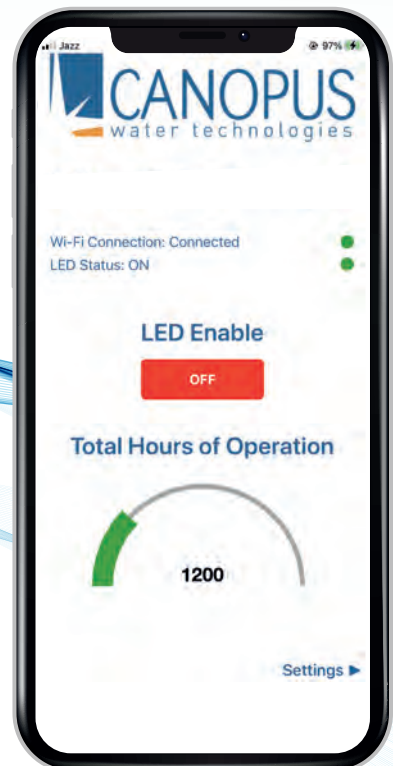
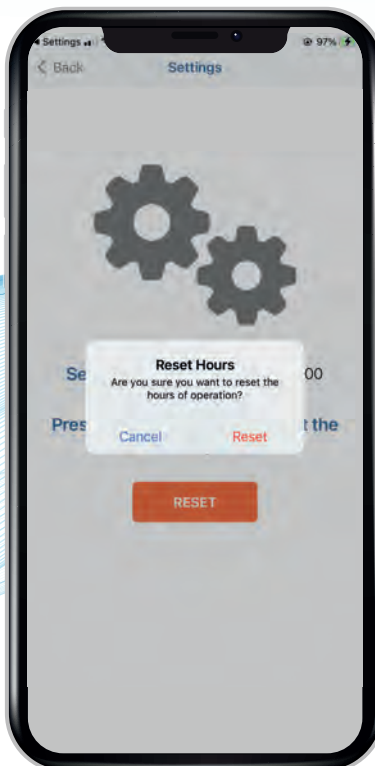
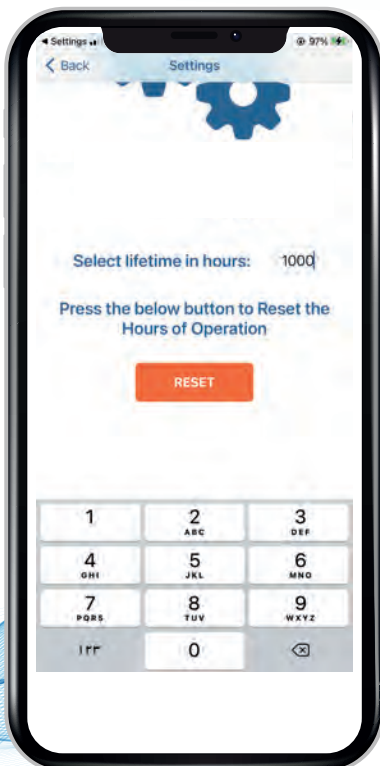
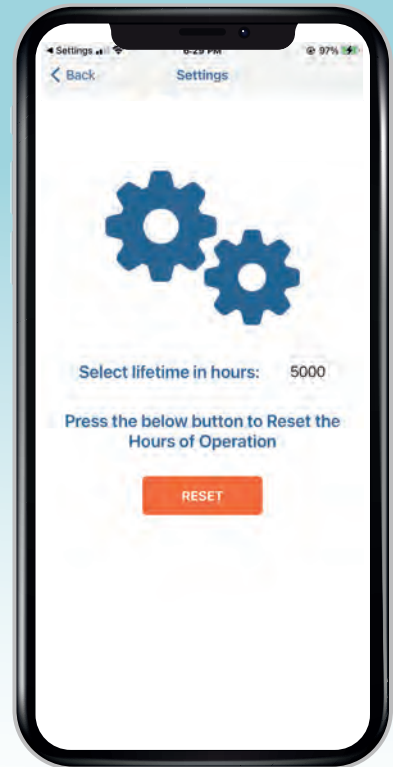
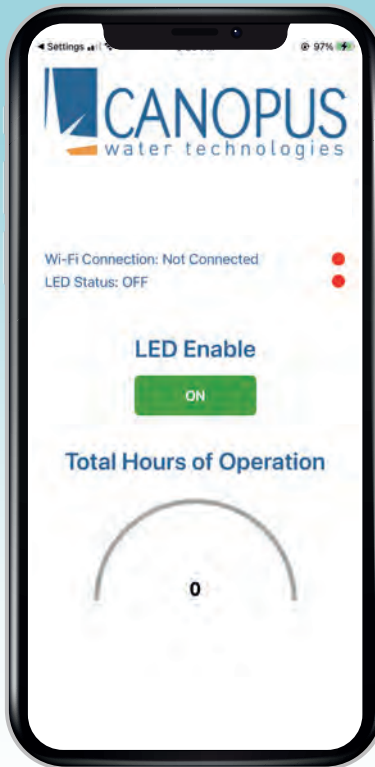
- Point of entry (POE) and point of use (POU) residential: drinking, pools, and irrigation
- Commercial such as restaurants, health centers, pools and spas
- Medical, pharmaceutical, and Biotechnology
- Semiconductor
- Wastewater

## PRODUCT FEATURES & BENEFITS

- Safe and reliable high intensity UV-C LED to inactivate most harmful bacteria, viruses and parasites including: Cryptosporidium, Giardia, and E.Coli with no compromise.
- NO chemicals, NO mercury, NO high voltage, and all materials are RoHS compliant
- Innovative reaction chamber to provide the highest possible UV dose - validated by an independent and industry recognized laboratory.
- Long life with low cost of ownership: NO yearly lamp replacement
- Compact design for installation in tight spaces.
- Instant ON/OFF capability.
- Bluetooth enabled for ease of use and monitoring.
- Stable operation and independent temperature profile.

# CANOPUS CONNECT

With our easy-to-use App, Canopus Connect, you can control your WIFI enabled C-UV100 or C-UV100P2. You can also monitor the service hours of your device and know when the UVC-LEDs need to be replaced. Canopus Connect is available on the Google Play Store for Android and the Apple App Store for iOS.



# C-UV100p

## ULTRAVIOLET LED WATER DISINFECTION SYSTEM

### Specifications



#### Maximum Flow Rate

1 GPM



#### UV Dose

Greater than 10 mJ/cm<sup>2</sup>



#### Operating Pressure

10PSI - 100PSI

#### Electrical

Voltage: 85 – 240 VAC/ 50-60Hz

Power: 3W



#### Mechanical

Dimensions: 4.5" (H) X 2" (W) X 2" (D)

Inlet/Outlet Ports: 1/4" NPT

Shipping Weight: 2 lbs



#### Environmental

Maximum Water Temperature: 40°C

Cooling: Natural convection, no fans or auxiliary cooling required



#### Options

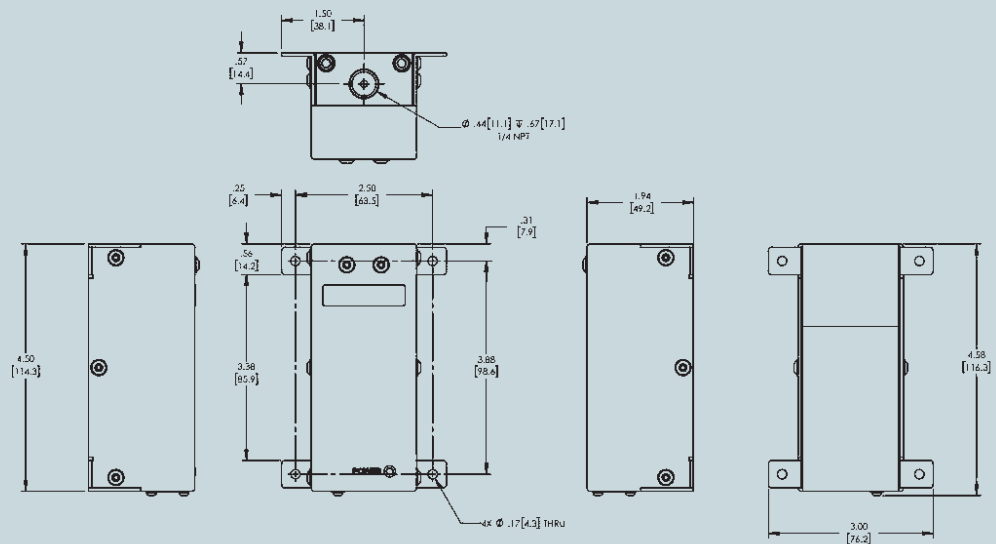
UV Detector with alarms when UV drops below the preset threshold

WIFI Connectivity with UV detector readouts

Battery back-up



### Mechanical Details



# C-UV100p2

## ULTRAVIOLET LED WATER DISINFECTION SYSTEM

### Specifications



**Maximum Flow Rate**  
2 GPM



**UV Dose**  
Greater than 10 mJ/ at 1.5GPM (6 LPM )



**Operating Pressure**  
10PSI - 100PSI

### Electrical



Voltage: 85 – 240 VAC/ 50-60Hz  
Power: 3W

### Mechanical



Dimensions: 6.5”(H)X 2”(W) X 2”(D)  
Inlet/Outlet Ports: 1/4" FNPT  
Shipping Weight 2.5lbs

### Environmental



Maximum Water Temperature: 40°C  
Cooling: Natural convection, no fans or auxiliary cooling required

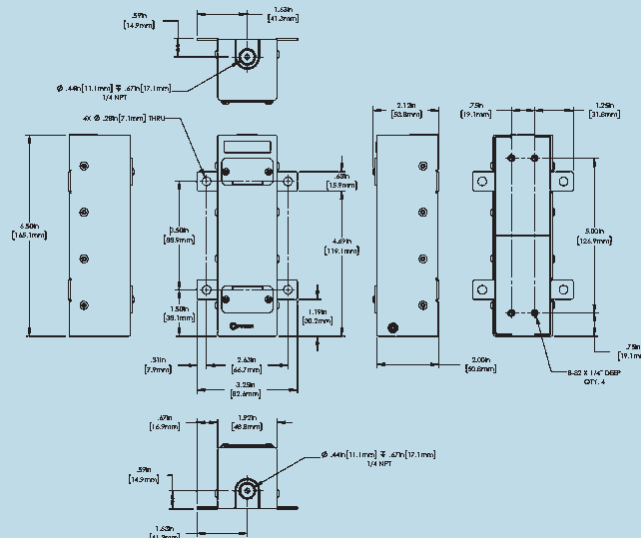
### Options



UV Detector with alarms when UV drops below the preset threshold  
WIFI Connectivity with UV detector readouts  
Battery back-up



### Mechanical Details





# C-UV100p

## DUAL ULTRAVIOLET LED WATER DISINFECTION SYSTEM

### Specifications



#### Maximum Flow Rate

1 GPM Per Channel



#### UV Dose

Greater than 10 mJ/cm<sup>2</sup>



#### Operating Pressure

10PSI - 100PSI



#### Electrical

Voltage: 85 – 240 VAC/ 50-60Hz

Power: 6 W



#### Mechanical

Dimensions: 4.5”(H)X 4”(W) X 2”(D)

Inlet/Outlet Ports: 1/4” FNPT

Shipping Weight 4lbs



#### Environmental

Maximum Water Temperature: 40°C

Cooling: Natural convection, no fans or auxiliary cooling required



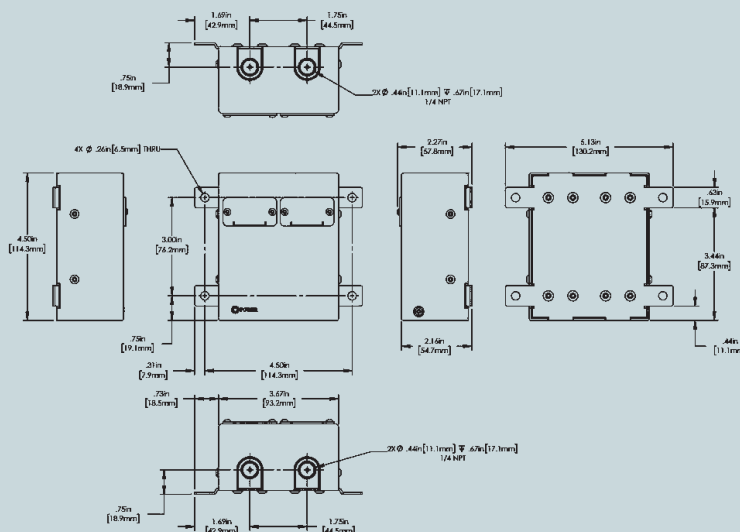
#### Options

UV Detector with alarms when UV drops below the preset threshold

WIFI Connectivity with UV detector readouts

Battery back-up

### Mechanical Details



# C-UV100p2

## DUAL ULTRAVIOLET LED WATER DISINFECTION SYSTEM

### Specifications



#### Maximum Flow Rate

2 GPM Per Channel



#### UV Dose

Greater than 10 mJ at 1 GPM



#### Operating Pressure

10PSI - 100PSI



#### Electrical

Voltage: 85 – 240 VAC/ 50-60Hz

Power: 6W



#### Mechanical

Dimensions: 6.5”(H)X 4”(W) X 2”(D)

Inlet/Outlet Ports: 1/4" FNPT

Shipping Weight 5lbs



#### Environmental

Maximum Water Temperature: 40°C

Cooling: Natural convection, no fans or auxiliary cooling required



#### Options

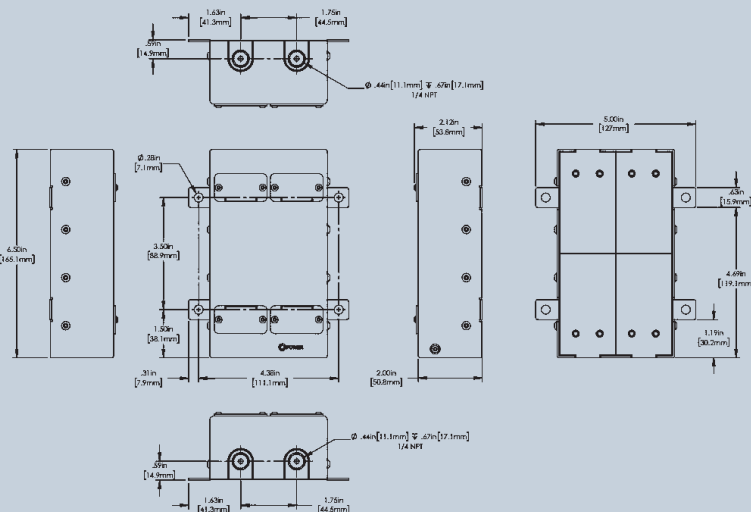
UV Detector with alarms when UV drops below the preset threshold

WIFI Connectivity with UV detector readouts

Battery back-up



### Mechanical Details



# C-UV100

## ULTRAVIOLET LED WATER DISINFECTION SYSTEM



### Specifications



#### Maximum Flow Rate

10 GPM



#### UV Dose

Greater than 20 mJ/cm<sup>2</sup>



#### Operating Pressure

10PSI - 100PSI



#### Electrical

Voltage: 85 – 240 VAC/ 50-60Hz

Power: 135 W



#### Mechanical

Dimensions: 10" (H) x 8" (W) x 7.5" (D)

Inlet/Outlet Ports: 3/4" FNPT

Shipping Weight: 15lbs



#### Environmental

Maximum Water Temperature: 40°C

Cooling: Natural convection, no fans or auxiliary cooling required



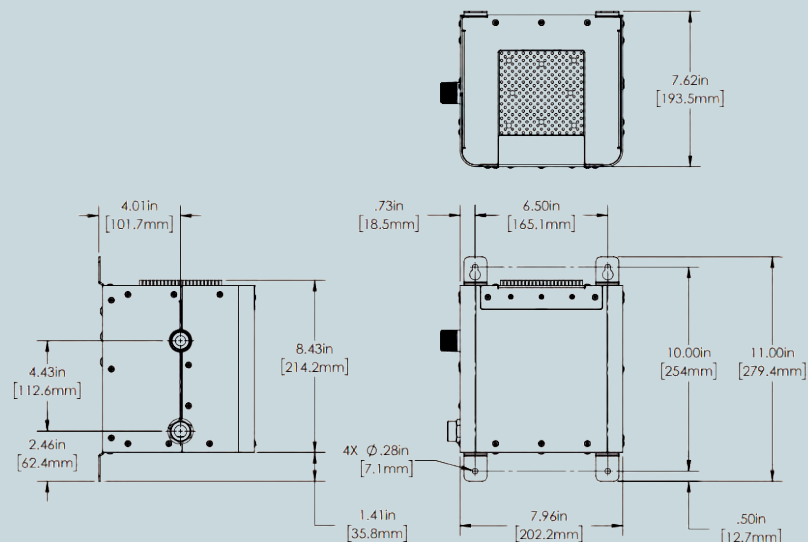
#### Options

UV Detector with alarms when UV drops below the preset threshold

WIFI Connectivity with UV detector readouts

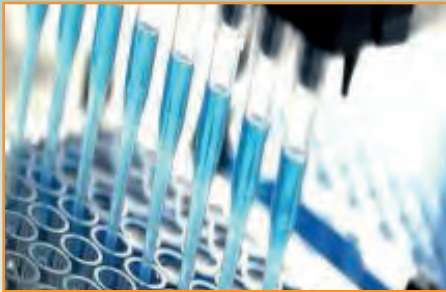
Battery back-up

### Mechanical Details



# OUR MARKETS

OUR SCALABLE PRODUCTS ADDRESS  
A BROAD RANGE OF MARKETS



INDUSTRIAL



POOL AND SPA



RESIDENTIAL

Canopus Water Technologies Inc.  
**Innovation in Disinfection**  
[www.canopuswatertechnologies.com](http://www.canopuswatertechnologies.com)



@CANOPUSWATER

